

NOTE: TERMINAL L1 MUST BE POWERED BEFORE TERMINAL 12

PROTECTOFIER

WITH
 SS100A FLAME PAK
 ACF { C-CHECK RELAY
 F-FLAME RELAY
 NR-NON-RECYCLE RELAY

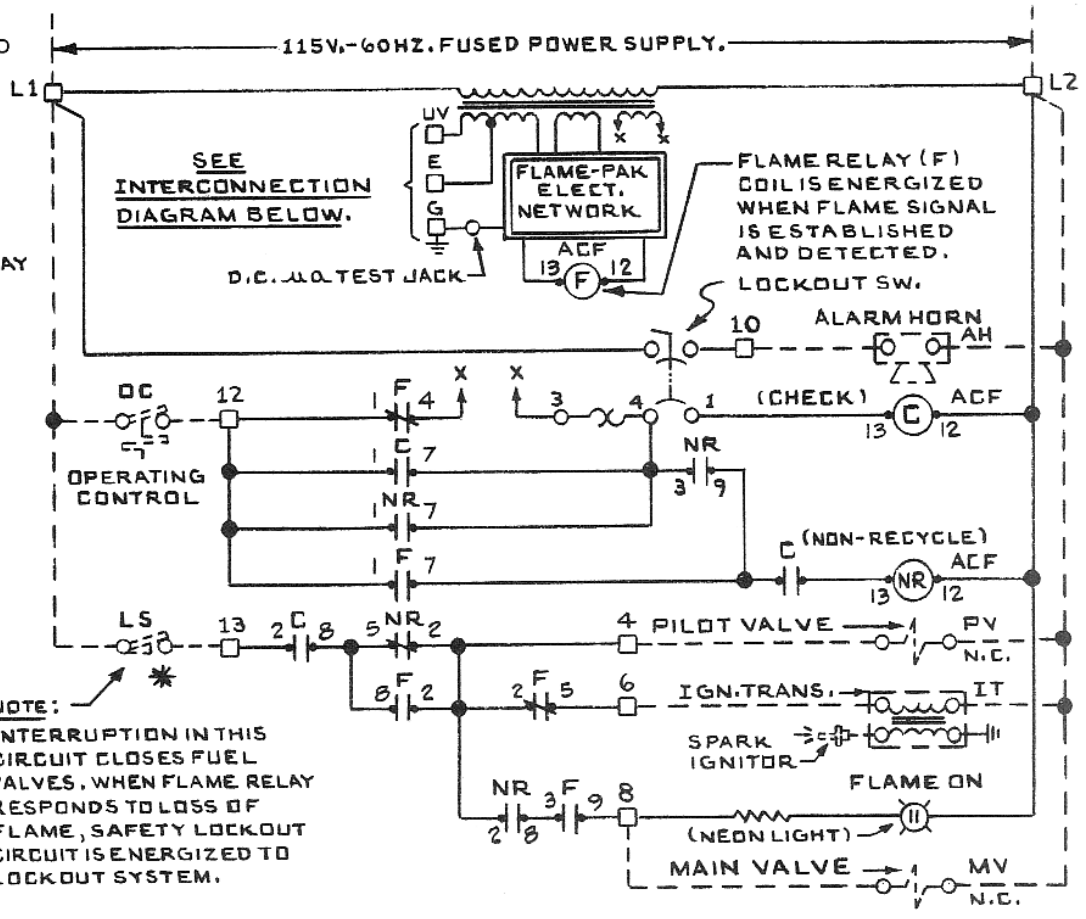
3 5 7 9 11
 □ □ □ □ □
 NO CONNECTIONS.

SINGLE BURNER
 PROTECTOFIER
 (FORM 6642 VB-NR
 GROUP M2101.)

□ INTERNAL WIRING.
 --- EXTERNAL WIRING.

WIRING DIAGRAM

* - SAFETY INTLK. SERIES CIRCUIT. FUEL AND AIR PRESS. SWS., VENT, FANS, ETC. AS REQ'D.



NOTE: INTERRUPTION IN THIS CIRCUIT CLOSSES FUEL VALVES, WHEN FLAME RELAY RESPONDS TO LOSS OF FLAME, SAFETY LOCKOUT CIRCUIT IS ENERGIZED TO LOCKOUT SYSTEM.

SINGLE BURNER
 PROTECTOFIER
 (FORM 6642 VB-NR
 GROUP M2101.)

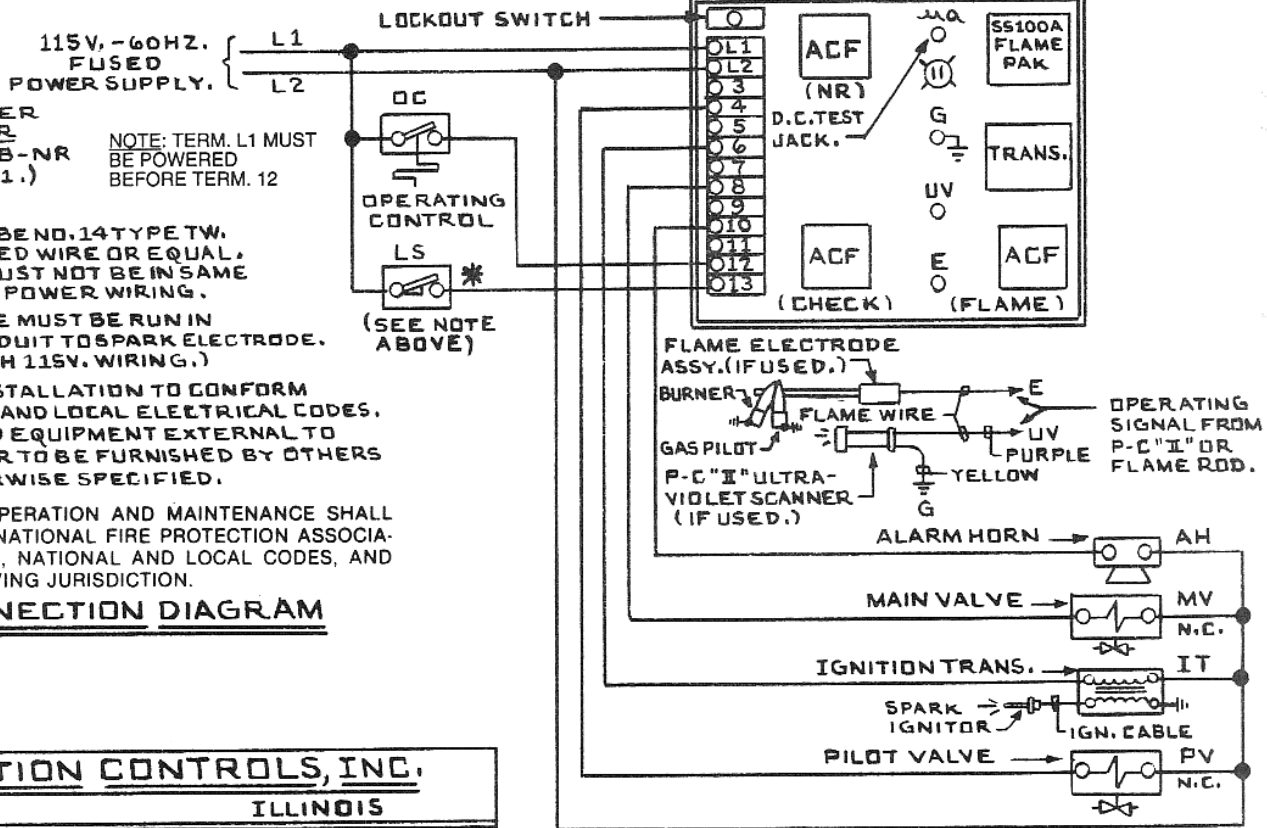
NOTES:

FLAME WIRE TO BE NO. 14 TYPE TW, 600V, INSULATED WIRE OR EQUAL; FLAME WIRE MUST NOT BE IN SAME CONDUITS WITH POWER WIRING.
 IGNITION CABLE MUST BE RUN IN SEPARATE CONDUIT TO SPARK ELECTRODE. (DO NOT MIX WITH 115V. WIRING.)

WIRING AND INSTALLATION TO CONFORM WITH NATIONAL AND LOCAL ELECTRICAL CODES. ALL WIRING AND EQUIPMENT EXTERNAL TO PROTECTOFIER TO BE FURNISHED BY OTHERS UNLESS OTHERWISE SPECIFIED.

INSTALLATION, OPERATION AND MAINTENANCE SHALL CONFORM WITH NATIONAL FIRE PROTECTION ASSOCIATION STANDARDS, NATIONAL AND LOCAL CODES, AND AUTHORITIES HAVING JURISDICTION.

INTERCONNECTION DIAGRAM



PROTECTION CONTROLS, INC.

SKOKIE, ILLINOIS

WIRING DIAGRAM FOR:
 PROTECTOFIER FORM 6642 VB-NR GROUP M2101

| | | | |
|---------|--------------------|----------------|----------------------|
| JOB NO. | DRAWN BY H.R.V. | DATE 6-6-79 | DRAWING NO. X-329 |
|---------|--------------------|----------------|----------------------|

REVISED AND REDRAWN: 10-1-81