

FORM 7256BT * - * NRH

PROTECTOFIER
SINGLE BURNER,
AUTOMATIC OPERATION,
INCLUDES TIMER FOR
PURGE AND IGNITION TRIAL.

SS100A FLAME PAK

ACF { C - CHECK RELAY
F - FLAME RELAY
NR - NON - RECYCLE RELAY

* - TIMING RANGE
(SEE TIMING SCHEDULE)

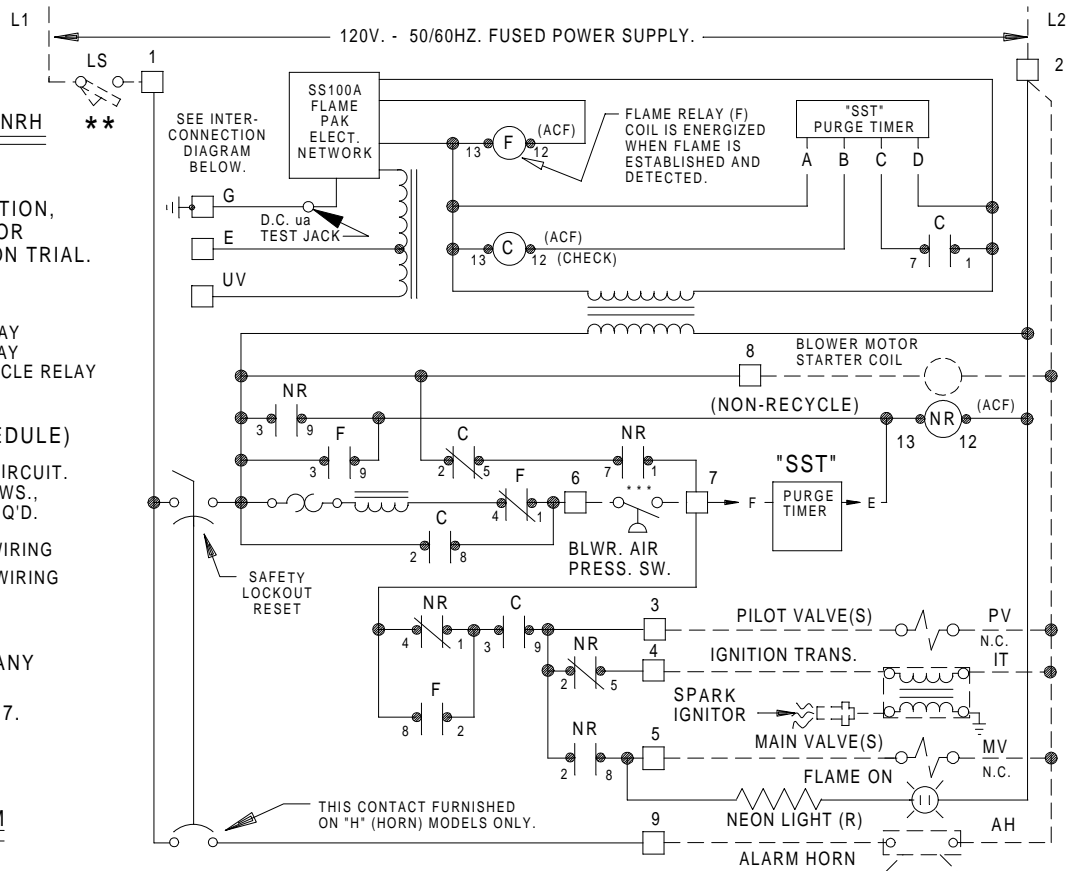
** - SAFETY INTLK.SERIES CIRCUIT.
FUEL AND AIR PRESS. SWS.,
VENT. FANS, ETC. AS REQ'D.

———— INTERNAL WIRING
----- EXTERNAL WIRING

*** - IMPORTANT

DO NOT CONNECT ANY
LOAD CIRCUITS TO
TERM. 6 OR TERM. 7.

WIRING DIAGRAM



NOTES:

FLAME WIRE TO BE NO. 14 TYPE TW. 600V.
INSULATED WIRE OR EQUAL. FLAME WIRE MUST
NOT BE IN SAME CONDUITS WITH POWER WIRING.

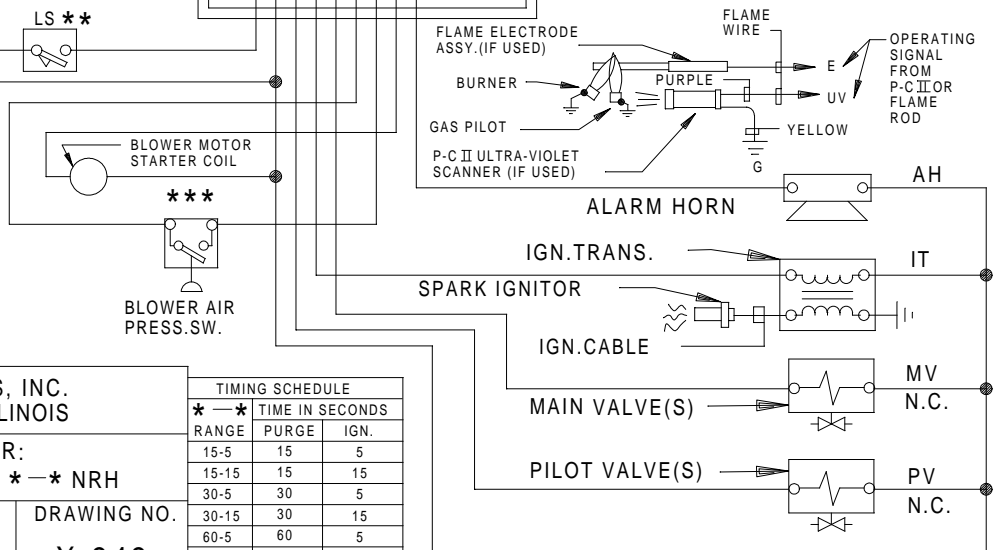
IGNITION CABLE MUST BE RUN IN SEPARATE
CONDUIT TO SPARK ELECTRODE.
(DO NOT MIX WITH 120V. WIRING.)

INSTALLATION, OPERATION AND MAINTENANCE
SHALL CONFORM WITH NATIONAL FIRE
PROTECTION ASSOCIATION STANDARDS,
NATIONAL AND LOCAL CODES AND
AUTHORITIES HAVING JURISDICTION. ANY
MODIFICATION VOIDS APPROVAL.

NOTES:

OPEN TYPE CONTROL SHOWN.
LETTER SUFFIX "E" AFTER FORM
NUMBER INDICATES ENCLOSED MODEL.
LETTER SUFFIX "H" IN FORM
NUMBER INDICATES PROTECTOFIER
PROVIDED WITH CONTACT FOR FLAME
FAILURE ALARM (SHOWN), STANDARD TRIAL
FOR IGNITION PERIOD IS 15 SEC.
SUFFIX "5" FOLLOWING LETTER "B"
INDICATES 5 SEC. TRIAL FOR IGNITION
PERIOD.

120V. 50/60HZ.
FUSED
POWER SUPPLY.



INTERCONNECTION
DIAGRAM

SINGLE BURNER
PROTECTOFIER
(FORM 7256BT*-*NRH)

PROTECTION CONTROLS, INC.
SKOKIE, ILLINOIS

WIRING DIAGRAM FOR:
PROTECTOFIER FORM 7256 BT * - * NRH

JOB NO.

REVISED

DRAWING NO.

6-04

X-343

TIMING SCHEDULE		
* - * TIME IN SECONDS		
RANGE	PURGE	IGN.
15-5	15	5
15-15	15	15
30-5	30	5
30-15	30	15
60-5	60	5
60-15	60	15
90-5	90	5
90-15	90	15